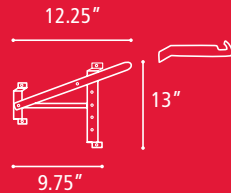
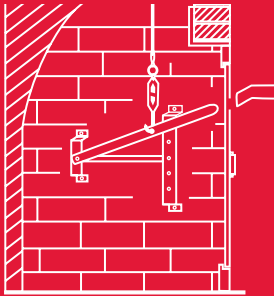


Chim-A-Lator®

Stainless Steel Adjustable Top Sealing Damper



The Chim-A-Lator® Deluxe easily mounts on top of a masonry fireplace flue and is operated by a convenient, adjustable regulator installed on the side wall of the fireplace. It is far more efficient than conventional cast iron dampers and the ideal replacement for old defective dampers. Proven for over 40 years to be the most trouble free top sealing damper.



Note: Minimum fireplace depth must be 12.25" (front to back)

Chim-A-Lator® not for use with gas, air cooled or class "A" chimneys.

Features

100% Stainless Steel

17 Standard Sizes

Lifetime warranty – best on the market today.

Satisfaction guaranteed. If within 30 days, you or your customer are not fully satisfied return the Chim-A-Lator® for a full refund.

Comes fully assembled for fast and easy bolt on installation.

Spark arrestor standard.

Chimney fire tested with little or no damage to unit damper. Will not fall and block flue in event of a chimney fire.

Saves energy. Tight seal on top of the chimney, keeps heat in when fireplace is not in use.

Prevents down draft smoking caused by wind.

Keeps out animals, birds, insects, bees, rain, leaves, wind and airplane noise.

Six setting regulator controls the amount of draft to produce more heat when burning.

Damper opens 6.5 inches

Ordering

1) Measure OUTSIDE of Flue Tile. Use chart on next page to order proper size. Each size of Chim-A-Lator® has 2.25 inches of adjustment.

2) Measure height of flue tile extending out of chimney. If this measurement is less than 1.25 inches, you will need a flue extension.

3) Estimate length of flue. If longer than 30 feet, request longer cable when ordering a Chim-A-Lator®.

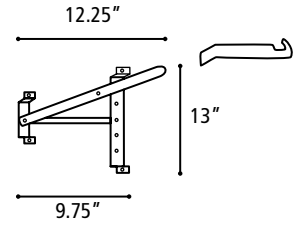
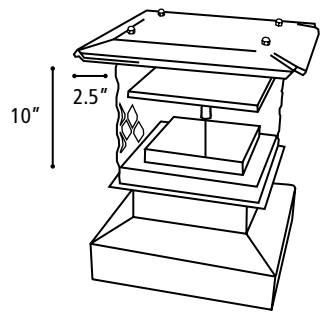
4) Note if chimney has an offset at bottom of flue. Chim-A-Lator® shipped with 7 feet of cable casing to protect cable at rub points. If offset is higher than 7 feet order a longer piece.

Copper Powder Coating

Get the look of copper at a fraction of the price with copper powder coating.

Copper Powder Coating:
#059997

Black Powder Coating:
#059998



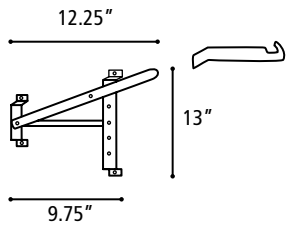
Note:
 5" minimum space between flue tiles required (overhang is 2.5")
 Custom size Chim-A-Lator® available. Call for pricing.
 Add to powder coat
 Chim-A-Lator® black (#059998)
 Add to powder coat
 Chim-A-Lator® copper (#059997)

Chim-A-Lator® Deluxe Fireplace Damper

Use Outside Dimensions of Flue Tile		3/4" Mesh	5/8" Mesh
Flue Size	Width (from - to)	Length (from - to)	Order #
8"x8"	7" - 9.25"	7" - 9.25"	050808
8"x13"	7" - 9.25"	11" - 13.50"	050813
8"x18"	7" - 9.25"	16" - 18.25"	050818
8"x20"	7" - 9.25"	18" - 20.25"	050820
10"x18"	8" - 10.25"	16" - 18.25"	051018
12"x12"	10" - 12.25"	10" - 12.25"	051212
13"x13"	11" - 13.50"	11" - 13.50"	051313
12"x16"	10" - 12.25"	14" - 16.25"	051216
13"x18"	11" - 13.50"	16" - 18.25"	051318
13"x21"	11" - 13.50"	19.50" - 22"	051321
16"x16"	14" - 16.25"	14" - 16.25"	051616
16"x20"	14" - 16.25"	18" - 20.25"	051620
18"x18"	16" - 18.25"	16" - 18.25"	051818
18"x21"	16" - 18.25"	19.50" - 22"	051821
20"x20"	18" - 20.25"	18" - 20.25"	052020
20"x24"	18" - 20.25"	22" - 24.25"	052024
24"x24"	22" - 24.25"	22" - 24.25"	052424

Chim-A-Lator® – Round

Use Outside Dimensions of Flue Tile	3/4" Mesh	5/8" Mesh
Flue Size	Tile O.D. (from - to)	Order #
8"	8.125" - 9"	050008
10"	10.125" - 11"	050010
12"	12.125" - 13"	050012
14"	14.125" - 15"	050014
16"	16.125" - 17"	050016
18"	18.125" - 19"	050018



Accessories – Stainless Steel Flue Extension

Flue Size	Order #	Flue Size	Order #
8"x8"	120808	13"x21"	121321
8"x13"	120813	16"x16"	121616
8"x18"	120818	16"x20"	121620
8"x20"	120820	18"x18"	121818
10"x18"	121018	18"x21"	121821
12"x12"	121212	20"x20"	122020
13"x13"	121313	20"x24"	122024
12"x16"	121216	24"x24"	122424
13"x18"	121318		

Accessories – Demonstrator

Order #
0508081

Accessories – Stainless Steel Cable Assembly

Length	Order #
30'	130130
40'	130140
50'	130150
60'	130160

Accessories – Stainless Steel Cable Only

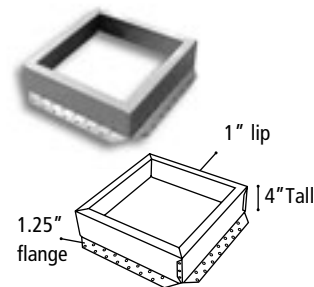
Length	Order #
30'	130030
40'	130040
50'	130050
60'	130060

Accessories – Cable Casing

Length	Order #
7'	140007
15'	140015
50'	140050

Accessories – Miscellaneous Parts

Description	Order #
Deluxe Handle	152050
Cable Clamp	152011
Turn Buckle	152040



Note:
Installs on chimney where no flue is extending or flue is too short.

Tapcon screws are included.



Note:
Replacement or longer cable.

Chim-A-Lator® is supplied with 30' of stainless steel cable. (Type 304 Stainless 375# Test.)

7 foot Cable Casing, Hold Down Spring, Turnbuckle, and Clamp

Note:
Protects cable at rub points in chimney.

Chim-A-Lator® is supplied with 7 foot piece.