

# Insul-Flue®



## Insulated Wall Unit Thimble and Chimney Plug

Patented USA #4,543,942 and CANADA #1,243,291



Insul Flue® provides security and protection for thru-the-wall stovepipe installations. Insul Flue® actually protects the wall on both sides when the chimney is not adjacent to the house wall. Insul Flue® reduces the minimum 18" clearance specified by NFPA standard to 2". This unique system can be used with both single wall and double wall connector pipe.



### Features

UL listed to 2100 degrees F temperature

Installation is easy with simple household tools.

Available in 6", 7" and 8" diameters and can accommodate any wall thickness.

Reduces the minimum 18" clearance specified by NFPA standard to 2".

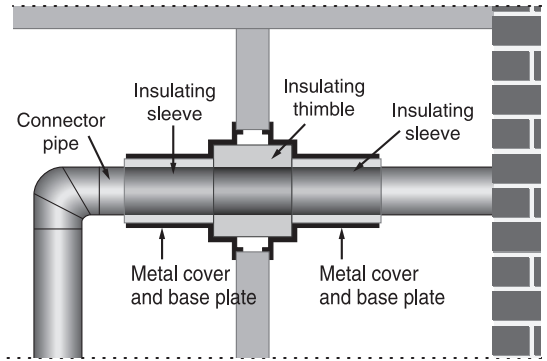
Attractive and durable powder coat process applied to the wall unit.

### Ordering

Must order two each wall units and one each thimble for complete through-the-wall installation.

Order one each wall unit and one each wall thimble for wall meets the chimney installations.

SDV wall unit fits Simpson Dura-Vent™ double wall connector pipe.



**Note:**

SDV wall unit fits Simpson Dura-Vent™ double wall pipe

Order 2 wall units and one thimble for through inside wall application

Illustration shows typical Thru-the-Wall installation. Insulating sleeves protect wall and any adjacent combustibles on both sides. Insulating thimble isolates wall itself – helps prevent overheating of wood bracing drywall, wallpaper, paint.

**Insul-Flue® Wall Unit and Thimble**

Item	Size (DxL)	Order #
Wall Unit	6"	80010600
Wall Unit	7"	80010700
Wall Unit	8"	80010800
SDV Wall Unit	6"	80010601
Thimble	6"x8"	80100608
Thimble	7"x8"	80100708
Thimble	8"x8"	80100808
Thimble	6"x12"	80100612
Thimble	7"x12"	80100712
Thimble	8"x12"	80100812



**Insul-Plug® Insulated Chimney Plug**

Size (DxL)	Minimum	Maximum	Order #
6"	6"	6.375"	810106
7"	6.75"	7.125"	810107
8"	7.75"	8.125"	810108

**Note:**

Used to seal up an old thimble hole.

Insert plug in old thimble hole and tighten expansion bolt on face. Insulation expands causing a tight fit.

Constructed of ceramic fiber insulation material.